



OPERATIONS and SAFETY MANUAL



SPECIAL SAFETY FEATURES:

1. Hook starts to open when device exceeds weight limit.
2. Latch "Pops" when weight is exceeded. At this point remove the load from unit.
3. Handle bends to side when unit is overloaded

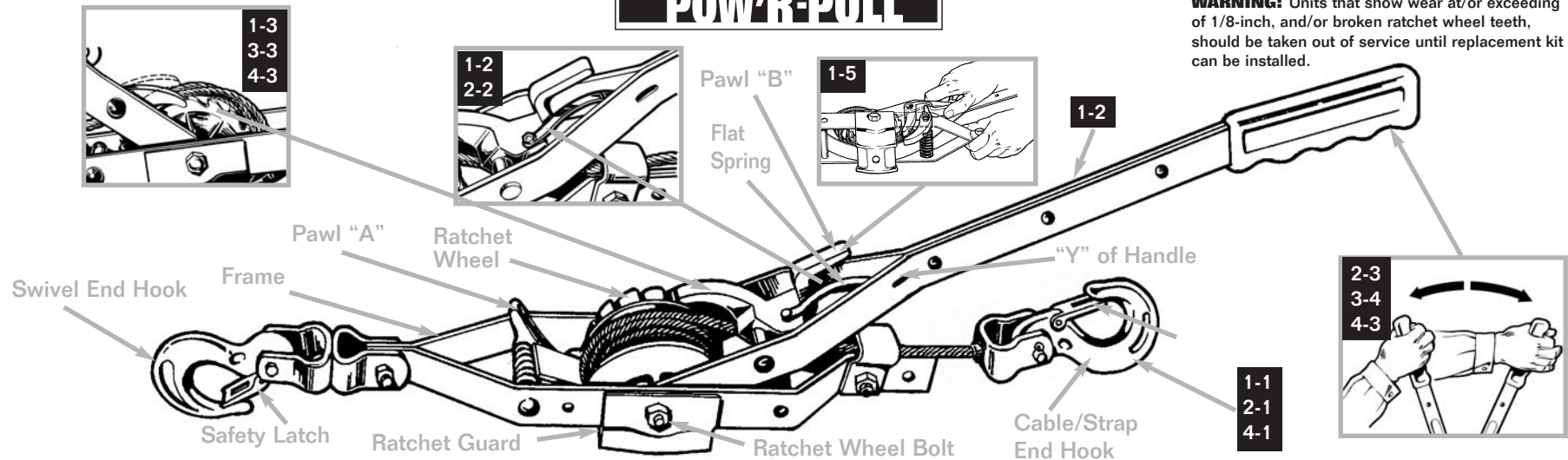
**This manual contains IMPORTANT INFORMATION
about your MAASDAM PULLER.**

Table of Contents

How to Operate a Pow'R-Pull, Strap Pull'R	2
How to Operate a Long Haul Rope Puller	4
Lubrication and Inspection.....	6
Parts and Accessories.....	6
Safety Instructions.....	7
Lifetime Warranty	8

MAASDAM POW'R-PULL

WARNING! Units that show wear at/or exceeding of 1/8-inch, and/or broken ratchet wheel teeth, should be taken out of service until replacement kit can be installed.



HOW TO OPERATE A POW'R-PULL/STRAP PULL'R

Step 1: Unreeling Cable or Strap

UNREEL ONLY WHEN PULLER IS NOT SUPPORTING A LOAD! DO NOT ALLOW LOADED UNIT TO UNREEL FREELY!

- 1-1 Attach cable/strap end hook to fixed object strong enough to support load being moved or lifted. **ENSURE SAFETY LATCH IS SECURELY CLOSED.**
- 1-2 Place thumb on flat "spring" in "Y" of handle assembly, aligning it with two-directional arrow on the label.
- 1-3 Push until "spring" bows in direction of "Down (Cable Out)". **PAWL "B" IN HANDLE ASSEMBLY BECOMES DISENGAGED FROM RATCHET WHEEL.**
- 1-4 Hold handle and hook assembly such that gold ratchet guard is on top and then pull upwards on handle until it no longer moves.
- 1-5 Place thumb on gold colored lever of Pawl "B" in handle and press down until both pawls disengage (can visually see disengagement).
- 1-6 While holding Pawl "B" in down position, walk backwards until cable or strap reaches desired length. **MAINTAIN AT LEAST 2 WRAPS OF CABLE/STRAP ON RATCHET WHEEL DRUM WHEN UNIT IS UNDER LOAD.**

Step 2: Lifting or Pulling a Load

- 2-1 After completing Step #1 and reaching desired length, attach swivel end hook to load. **ENSURE SAFETY LATCHES ARE SECURELY CLOSED.**
- 2-2 Place index finger on flat "spring" in "Y" of handle assembly, aligning it with two-directional arrow on handle and push until "spring" bows in direction of "Up (Cable In)".
- 2-3 Stand on the hook assembly side of the Puller, tightly grab hand grip and move handle back and forth to take up slack. (For Strap Pull'R #WS-25 only) Pull strap through ratchet guard, walking towards fixed object as strap is pulled, to take up slack.
- 2-4 As load begins to move, visually inspect support object and hooks. **KEEP FINGERS, CLOTHING, HAIR, ETC. AWAY FROM ALL MOVING PARTS! KEEP HAND ON GRIP!**
- 2-4a If support object shows ANY sign of being unable to support load, **STOP** immediately and release tension on load per Step #3. Detach Puller, move to alternate support object and begin again with Step #1.
- 2-5 Continue to pull load to desired position/location. If handle no longer moves, limit of Puller has now been reached. **NEVER use a "cheater bar" or handle extender!** You risk exceeding the load limit and **CAUSING YOURSELF SERIOUS BODILY INJURY.**

Step 3: Lowering or Releasing a Load

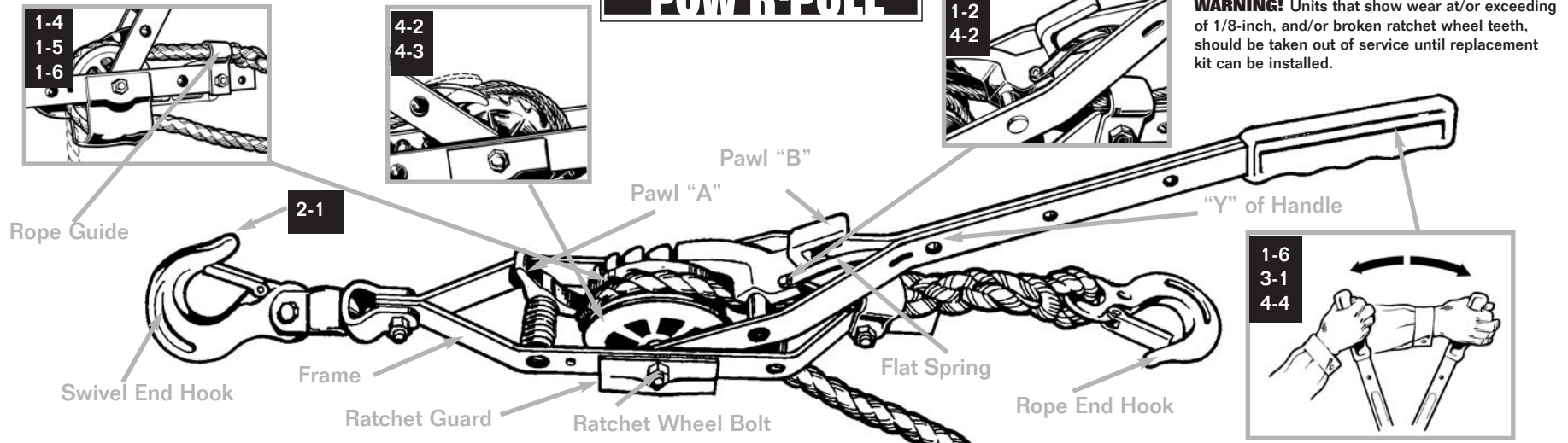
- 3-1 Before releasing tension, **BE SURE** that positioned load is supported and secure.
- 3-2 Place thumb on flat "spring" in "Y" of handle assembly, aligning it with two-directional arrow on handle. Push until "spring" bows in direction of "Down (Cable Out)". **PAWL "B" IN HANDLE ASSEMBLY BECOMES DISENGAGED FROM RATCHET WHEEL.**
- 3-3 Tightly grab hand grip and pull handle in direction of swivel hook assembly until handle no longer moves. **RETAINER PAWL "A" IN FRAME ASSEMBLY RELEASES FROM RATCHET WHEEL. PAWL "B" WILL ENGAGE PAWL "A" AND PUSH IT OFF THE RATCHET WHEEL (1 NOTCH AT A TIME).**
- 3-4 Push handle away from swivel hook assembly area until "click" is heard, then pull handle back towards swivel hook assembly. Repeat until load is in place. **AT ALL TIMES KEEP ONE HAND ON HAND GRIP WHILE KEEPING SECOND HAND TOTALLY AWAY FROM PULLER UNIT!**
- 3-5 Once load is in final position, **STOP** moving handle, disconnect both hooks and remove Puller.
- 3-6 Wind excess cable or strap back onto ratchet wheel per Step #4.
- 3-7 Conduct **SAFETY INSPECTION** of Puller unit, checking cable or strap, ratchet wheel, hooks and other moving parts for signs of damage. **LUBRICATE MOVING PARTS AS NECESSARY.**

Step 4: Rewinding Cable or Strap

REWIND ONLY WHEN PULLER IS NOT SUPPORTING A LOAD! AS CABLE OR STRAP IS REWOUND, INSPECT FOR POSSIBLE DAMAGE.

- 4-1 Attach cable/strap end hook to fixed object. **ENSURE SAFETY LATCH IS SECURELY CLOSED.**
- 4-2 Place index finger on flat "spring" in "Y" of handle assembly, aligning it with two-directional arrow on handle.
- 4-3 Push until "spring" bows in direction of "Up (Cable In)". **PAWL "B" IN HANDLE ASSEMBLY BECOMES ENGAGED WITH RATCHET WHEEL.**
- 4-4 While holding other hook in one hand and hand grip in the other hand, repeatedly ratchet handle back and forth until cable or strap is fully wound onto ratchet wheel. **WALK TOWARDS FIXED OBJECT AS CABLE OR STRAP IS WOUND.**
- 4-4a (For Strap Pull'R #WS-25 only) **WIND STRAP ONLY TO THE LIMITS OF THE RATCHET WHEEL. ONLY 12 FT. OF STRAPPING CAN BE RATCHED AROUND THE RATCHET WHEEL OR THE UNIT WILL JAM. TO UNJAM WEBBING, REMOVE RATCHET WHEEL BOLT WHILE THERE IS NO LOAD BEING APPLIED.** Coil and bind the remaining strapping for safe keeping.
- 4-5 Remove hook from fixed object.

MAASDAM POW'R-PULL



WARNING! Units that show wear at/or exceeding of 1/8-inch, and/or broken ratchet wheel teeth, should be taken out of service until replacement kit can be installed.

HOW TO OPERATE A LONG HAUL ROPE PULLER

Step 1: Installing the Rope

NO NEED TO REMOVE ROPE ONCE INSTALLED UNLESS LONGER LENGTH IS NEEDED.*

- 1-1 Rope provided separately from Rope Puller. **USE ONLY 1/2" ROPE.**
- 1-2 Place index finger on flat "spring" in "Y" of handle assembly, aligning it with two-directional arrow on handle and push until "spring" bows in direction of "Up (Cable In)".
- 1-3 Rest unit on ratchet guard with handle pointed upwards, take plain end of rope and insert through rope guide in direction of ratchet wheel.
- 1-4 Lead rope over top of ratchet wheel, then extend rope downwards between black spring and ratchet wheel.
- 1-5 Grab end of rope underneath black spring, pull to length of approximately 12" and insert snugly between ratchet wheel and ratchet guard.
- 1-6 Repeatedly move handle back and forth until rope comes out other side of guard. **KEEP HANDS AND FINGERS AWAY FROM MOVING PARTS!**

Step 2: Positioning a Puller

- 2-1 With rope properly installed per Step #1, attach rope hook to a fixed object strong enough to support load being moved or lifted. **MAKE SURE SAFETY LATCH IS SECURELY CLOSED!**
- 2-1A If using a rope without a hook attached, then **SECURELY TIE** rope to fixed object.
- 2-2 To position behind load, pull rope through ratchet guard, walking towards fixed object as rope is pulled.
- 2-3 With Rope Puller in position, attach swivel end hook to load.

**Note: All specifications for the Maasdam Long Haul Rope Puller are based on rope provided by Maasdam Pow'R-Pull. Results and capacity limits may vary with rope supplied by other manufacturers.*

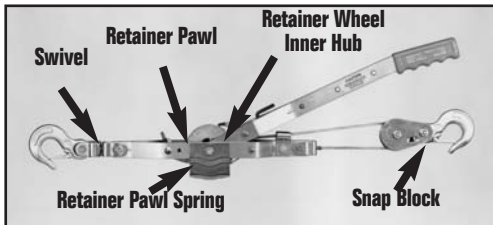
Step 3: Lifting or Pulling a Load

- 3-1 After completing Steps #1 and #2, remove slack in rope by either pulling loose end of rope through ratchet guard until rope is snug or, while standing on hook assembly side of the Puller, tightly grab hand grip and move handle back and forth until rope is taut.
- 3-2 As load begins to move, visually inspect support object and hooks. **KEEP FINGERS, CLOTHING, HAIR, ETC. AWAY FROM ALL MOVING PARTS! KEEP HAND ON GRIP!**
- 3-2a If support object shows ANY sign of being unable to support load, **STOP** immediately and release tension on load per Step #4. Detach Rope Puller, move to alternative support object and begin again with Step #1.
- 3-3 Continue to pull load to desired position/location. If handle no longer moves, limit of Rope Puller has now been reached. **NEVER** use a "cheater bar" or handle extender! You risk exceeding the load limit and **CAUSING YOURSELF SERIOUS BODILY INJURY.**

Step 4: Lowering or Releasing a Load

- 4-1 Before releasing tension, **BE SURE** that positioned load is supported and secure.
- 4-2 Place index finger on flat "spring" in "Y" of handle assembly, aligning it with two-directional arrow on handle and push until "spring" bows in direction of "Down (Cable Out)". **PAWL "B" IN HANDLE ASSEMBLY BECOMES DISENGAGED FROM RATCHET WHEEL.**
- 4-3 Tightly grab hand grip and pull handle in direction of swivel hook assembly until handle no longer moves. **RETAINER PAWL "A" IN FRAME ASSEMBLY RELEASES FROM RATCHET WHEEL.**
- 4-4 Push handle away from swivel hook assembly area until "click" is heard, then pull handle back towards swivel hook assembly. Repeat until load is in place. **AT ALL TIMES KEEP ONE HAND ON HAND GRIP WHILE KEEPING SECOND HAND TOTALLY AWAY FROM ROPE PULLER UNIT!**
- 4-5 Once load is in final position, **STOP** moving handle, disconnect both hooks and remove Rope Puller.
- 4-6 Wind excess rope into coil for storage.
- 4-7 Conduct **SAFETY INSPECTION** of Rope Puller, checking rope, ratchet wheel, hooks and other moving parts for signs of damage. **LUBRICATE MOVING PARTS AS NECESSARY.**

LUBRICATION



Regular lubrication is **VERY IMPORTANT**. The unit will not function properly and may become dangerous if not lubricated. Apply lightweight motor oil (i.e. SAE20) or spray lubricant (i.e. WD-40®) to points highlighted below. Frequency of lubrication depends on frequency of use and operating environment. Regularly check unit and apply lubrication when needed.

INSPECTION

Besides following the Safety, Lubrication and How to Operate... instructions found on pages 2 - 9, Maasdam also recommends the periodic inspection of your tool. The American Society of Mechanical Engineers has developed such an inspection schedule. Make this practice part of your regular maintenance!

Visual Inspection *

The operator should visually inspect the tool before each use, looking at...

- 1) all moving mechanisms for interference with proper operation
- 2) hooks and latches for deformations, chemical damage, cracks and wear
- 3) hook latch for proper operation/attachment
- 4) wire rope for fraying, kinking, corrosion, etc.
- 5) levers for bends, cracks or other damage
- 6) damage to the support for the hoist
- 7) make sure all moving parts are properly lubricated

*Maasdam suggests visual inspection before every use.

Written Inspections

A third party inspection, with recorded results for continuing evaluation, should be conducted regularly on each tool. The frequency depends on use - Daily to Weekly; every 3 months; Weekly to Monthly; every 6 months; and Monthly; once a year.

- 1) Loose bolts, nuts or rivets
- 2) Evidence of worn, corroded, cracked or distorted parts
- 3) Evidence of damage to hook retaining nuts or collars
- 4) Evidence of worn pawls, cams or ratchets
- 5) Evidence of warning label
- 6) End connections of wire rope

ADDITIONAL THINGS TO CONSIDER WHEN USING OUR QUALITY MAASDAM PRODUCTS

- Lubricate all moving parts regularly!
- Wear safety glasses whenever operating a Puller!
- When operating, keep others clear from the immediate area!
- When pulling or lifting, load should be in straight line, hook to hook!
- Keep hands, hair and clothing away from all moving parts!
- Do not allow ratchet wheel to spin freely!
- Make sure that safety latches on hooks are securely closed!
- Never remove warning labels affixed to the unit!
- Misuse of this product can lead to serious bodily injury!
- Do not allow nose of pawl to rest on tip of ratchet wheel teeth!
- Pullers are not intended for use as tie-down!
- Maintain at least 2 wraps of cable or strap (excluding Part No. WS-25 Strap Pull'R) on ratchet wheel drum when unit is under load.

PARTS & ACCESSORIES

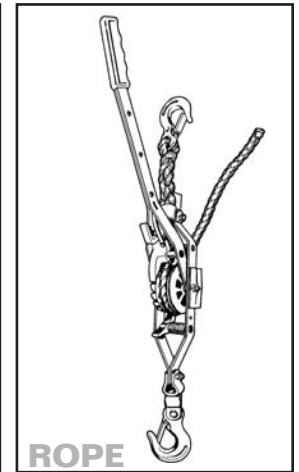
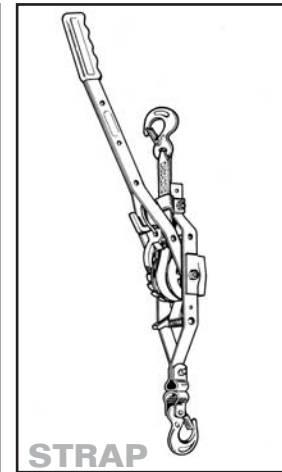
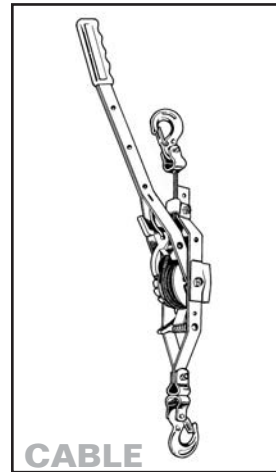
When Safety and Dependability Matter Most. These are the watchwords that guide Maasdam Pow'R-Pull's every action. We build our products using the finest materials available. We test and retest our units so that you receive the finest quality Pow'R-Pull, Long Haul Rope Puller or Strap Pull'R available.

The very same component parts used to produce your tool can also be purchased. Identify your needs and choose from one of the many Tool Life Extend'R Kits available. If a Swivel Hook Assembly needs replacement, it is best to replace the nut at the same time. Safety and Dependability go hand-in-hand with a well maintained unit!

To order a kit, contact a customer service representative at 888.797.7855



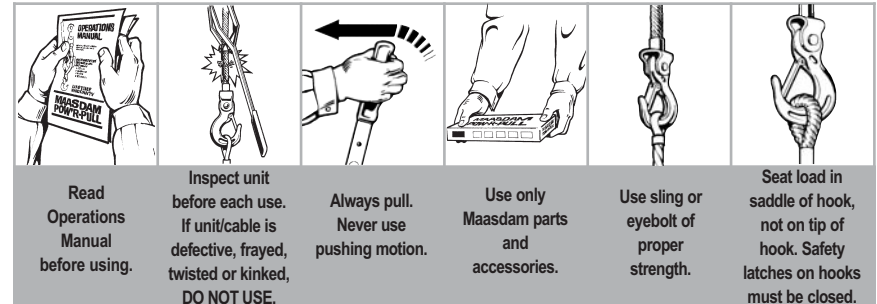
THREE TYPES OF PULLERS



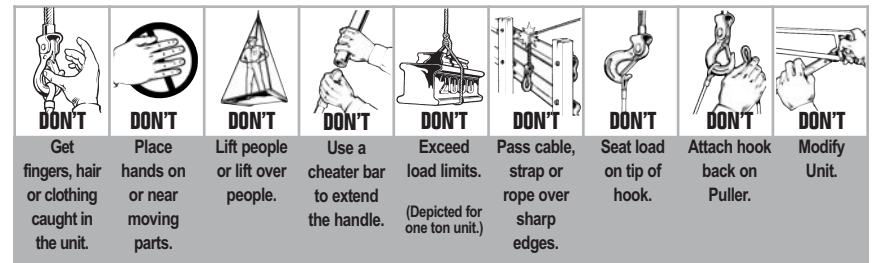
WARNING

Read - and follow - all instructions. Successful use of your Puller will happen when you understand how to use the unit and apply good sense while doing so. Be SAFE! Get to know the "Proper Usage" of your tool by examining the following illustrations. Failure to read this manual may lead to serious bodily injury!

DO's



DON'Ts



MAASDAM POW'R-PULL®

LIFETIME WARRANTY

Maasdam Pow'R-Pull (the "Manufacturer") proudly warrants these quality manufactured products only to be free from defects in workmanship and factory materials for the lifetime of the tool only so long as the tool is used and maintained properly and in accordance with the Operations and Safety Manual and information which accompany and relate to the tool. Products made for Maasdam Pow'R-Pull outside the USA are covered by other limited warranties as stated on the box for the particular product.

Manufacturer shall have the sole discretion to inspect and determine whether Purchaser has used and maintained the tool properly for purposes of application of this warranty. The sole monetary limit and measure of damages of Manufacturer shall be the price of the defective unit, and Manufacturer shall have no liability or responsibility for consequential or any other kind of damage caused by the defective unit or any of its parts, including, but not limited to, loss of use, commercial loss or loss of business. This warranty is extended only to the first purchaser of this product and only if the product is used as intended by the Manufacturer.

To use this warranty, you may bring the defective unit to the store from which you purchased it, or you may return the tool to our factory at **1000 Greenleaf Avenue, Elk Grove Village, IL 60007**, postage prepaid. Before returning the product to our factory, call the office using our toll free telephone number, **888-797-7855**, to identify the defect(s) of which you complain. Your return address should appear on the shipping container when transmitting any tools.

This warranty is the exclusive and only warranty to pass with this product, and **THIS WARRANTY IS IN PLACE AND IN LIEU OF ALL WARRANTIES OF MERCHANTABILITY AND FITNESS**. By acceptance of the product, the purchaser and user agree to the terms hereof and incorporate the same in any contract for the purchase of this product.

Register your Maasdam puller online at www.maasdam.com and receive a FREE GIFT!

Certified Quality:



1000 Greenleaf Avenue
Elk Grove Village, IL 60007
Tel 888.797.7855 • Fax 847.228.6021
www.pullr.com
©2011 Pull'R Holding Company, LLC

M-OSM-1111